

## West 6600 1/16 DIN Plastics Controller



The West 6600 provides high quality control in applications requiring a heater break function or soft-start for process warm up. Heater current can also be displayed, removing the need for a separate ammeter.

- Heat/Cool operation
- Process & Heater alarms
- Current “Quick Transfer”
- RS485 comms
- Soft Start
- Ramping setpoint
- Current Display



### Technical Data

#### Features

Control Types	Full PID with Pre-tune, Self-tune, Manual Tuning, or On-Off control. Heat only or heat & cool
Soft Start	Allows lower SP value and cycle time during the process start-up phase
Auto/Manual	Selectable from front panel, with bumpless transfer. Instant power-off feature also available as standard
Output Configuration	Up to 4 total. Max 2 for control (Heat & Cool), max 3 for Alarms, max 1 for retransmit Process value or Setpoint
Process Alarm Types	Process high, process low, SP deviation, band, logical OR
Heater Break Alarm Types	Current low or high, (in absolute amps or % of nominal current) plus contactor/thyristor short circuit
Human Interface	4 button operation, dual 4 digit 10mm & 8mm high LED displays, plus 3 LED indicators for alarms, tuning and set-up
PC Configuration	Off-line configuration from serial port if RS485 option is fitted.

#### Input

Thermocouple	J, K, R, S, T, B, L, & N.
RTD	3 Wire PT100, 50Ω per lead maximum (balanced)
Impedance	>100MΩ
Accuracy	+/- 0.25% of input span +/- 1 LSD (T/C CJC better than 0.7°C)
Sampling	4 per second, 14 bit resolution approximately
Sensor Break Detection	<2 secs, control O/P's turn off, high alarms activate for thermocouple ranges, low alarms activate for RTD
Heater Current	0-50mA secondary from external current transformer. Display is scaleable up to 100 amps

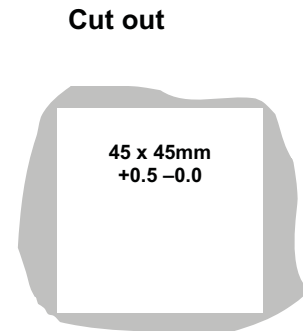
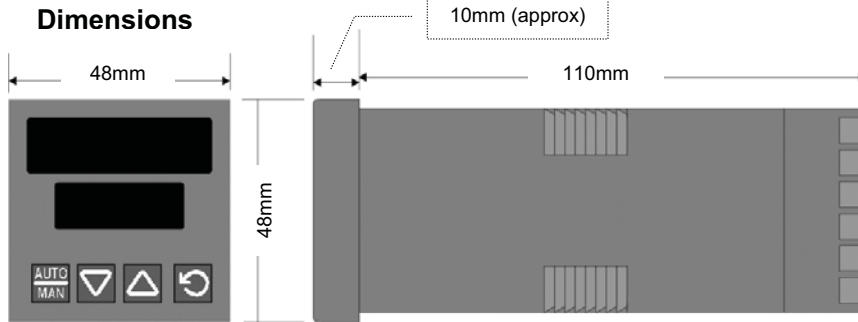
#### Outputs & Options

Control & Alarm Relays	Contacts *SPDT 2Amp resistive at 240V AC, >500,000 operations. (Dual relay=SPST for O/P's 2 & 4)
Control SSR Outputs	Drive capability, output 1>10V DC into 500Ω min, output 2>4.2V DC into 250Ω min
Solid State (Triac) Outputs	0.01 to 1 Amp AC 20 to 280V, 47 to 63Hz
Retransmit Outputs	0-20/4-20mA into 500Ω max, 0-10/0-5V into 500Ω min. Accuracy typically +/- 0.25%
Communications	2 Wire RS485, 1200 to 9600 Baud, Modbus or West ASCII (Selectable)
Dual SP/Current Transfer	Volt free or TTL input. Selects between 2 setpoints or quick transfer of heater current as nominal value

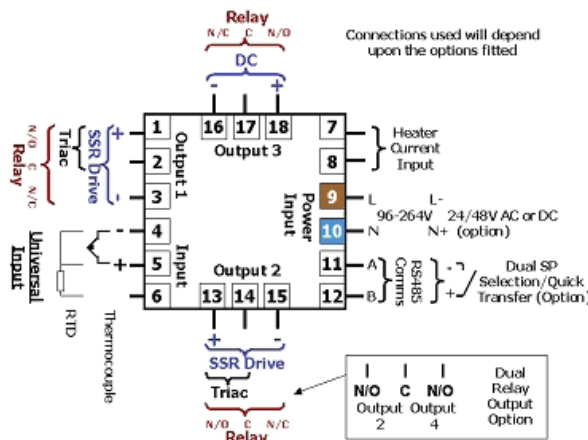
#### Operating & Environmental

Temperature & RH	0 to 55°C (-20 to 80°C storage), 20% to 95%RH non-condensing
Power Supply	100 to 240V 50/60Hz 7.5VA (optional 20 to 50V AC 7.5VA/22 to 65V DC 4W)
Front Panel Protection	IEC IP66 (Behind panel protection is IP20)
Approvals and Certification	CE, UL & ULc

Call us now on **01706 216667**



**Connection Details**



**Field Reconfiguration**

**Input**  
Configurable Thermocouple or RTD, no extra parts required

**Output 1**  
Type is fixed as Relay/SSR (selectable)

**Output 2 (and 4)**  
Configurable as Cool O/P or Alarm via plug-in Relay, SSR, Triac or DC Linear modules. A Dual Relay card is available which allows Cool O/P or Alarm on output 2 plus Heater Break Alarm on output 4

**Output 3**  
Configurable as Alarm via plug-in Relay module, or retransmit using DC Linear module

**Option Slot**  
Configurable as RS485 comms or dual setpoint selection/current transfer, via plug-in modules

**Order Code**



**Input Type**

3 Wire RTD	1
Thermocouple	2

**Output 1**

Relay Control	1
DC for SSR Control	2

**Output 2**

Not fitted	0
Relay Control or Alarm 2	1
DC for SSR Control or Alarm 2	2
Triac Control	8
Dual Relay for Control or Alarm with Heater Break	9

**Options & Power Supply**

00	No Options/100-240V AC supply
02	No Options/24-48V AC or DC supply
10	RS485 Comms/100-240V AC supply
12	RS485 Comms/24-48V AC or DC supply
30	Dual SP or Current Transfer/100-240V AC supply
32	Dual SP or Current Transfer/24-48V AC or DC line

**Output 3**

0	Not fitted
1	Relay Alarm 1 output
3	DC 0-10V Re-Transmit PV or SP
4	DC 0-20mA Re-Transmit PV or SP
5	DC 0-5V Re-Transmit PV or SP
7	DC 4-20mA Re-Transmit PV or SP

**Current Transformers:**

25 Amp	Part No 85258
50 Amp	Part No 85259
100 Amp	Part No 85260

In accordance with our policy of continuous improvement, we reserve the right to change specifications from those shown in this document.